

User Guide

# Excavator Lifting Platform

---



## Product Information

### **Overview**

---

The Excavator Lifting Platform is a large, steel platform with a timber bed, designed to safely lift excavators in and out of tunnels and shafts. It features adjustable telescopic I-beams that allow the platform to be transported to and from site without the need to acquire a wide load permit.

Tie-down points around the platform ensure the excavator can be secured before it is lifted and ramped access on both sides provide easy load and offload, making the Excavator Lifting Platform ideal for tunnelling projects, basement excavations and sites with limited access.

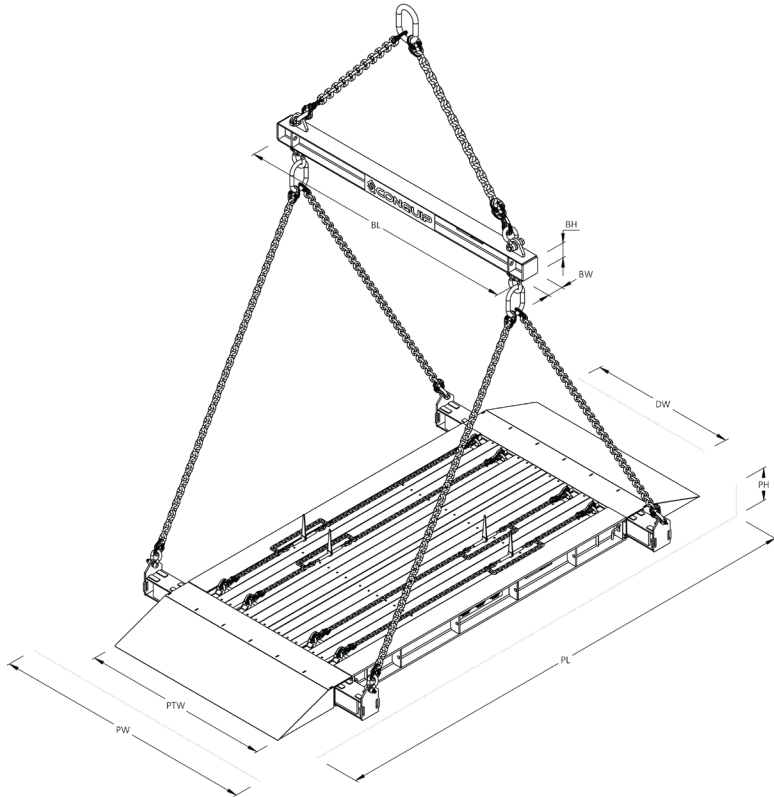
### **Key Benefits**

- Ramps at both ends make loading and unloading easier on sites where space is limited.
- Handles and removable pins on telescopic I-beams allow for the quick and simple adjustment between transport and lifting positions.
- Designed to lift excavators up to 30,000 kg.
- Designed and manufactured in the UK from high-quality British and European steel.

# Product Information

## Specification

Item	Product Code
Excavator Lifting Platform	CA149AC-30000



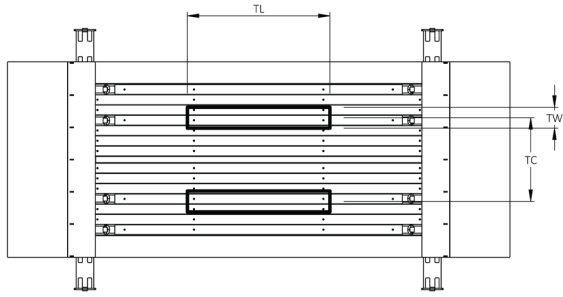
<sup>1</sup>Working Load Limit

Product Code	Platform Length	Platform Width	Platform Width (Transport)	Platform Height	Platform Weight	Platform WLL <sup>1</sup>
CA149AC-30000	7235mm	3885mm	2975mm	485mm	4500kg	30,000kg

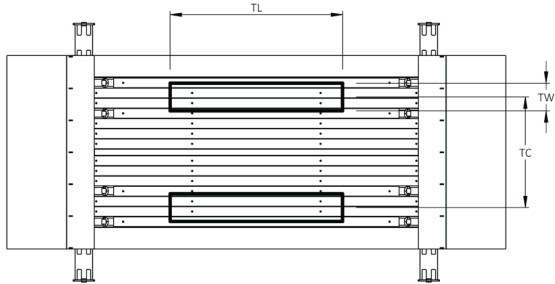
<sup>1</sup>Working Load Limit

Product Code	Beam Length	Beam Width	Beam Height	Bed Width	Beam Weight	Beam WLL <sup>1</sup>
CA149AC-30000	4215mm	255mm	605mm	2160mm	430kg	35,000kg

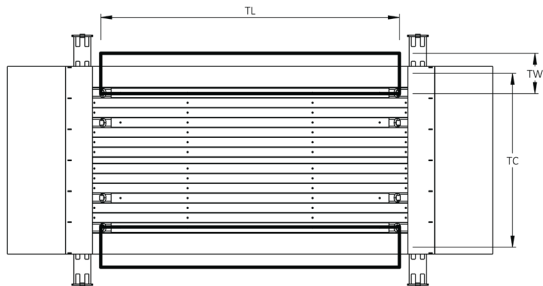
# Excavator Track Placement



Excavator	Track Length	Track Width	Track Centres
3 tonne	2052mm	300mm	1200mm



Excavator	Track Length	Track Width	Track Centres
6 tonne	2500mm	400mm	1600mm

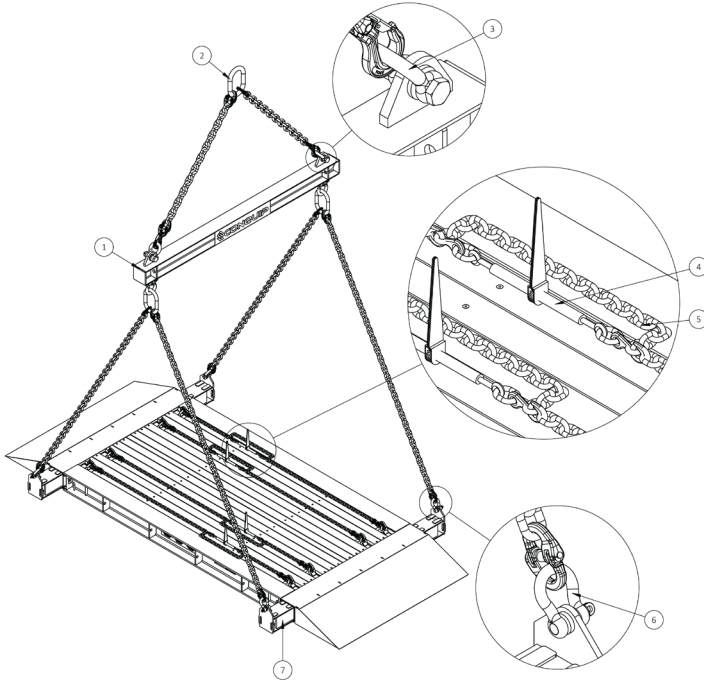


Excavator	Track Length	Track Width	Track Centres
30 tonne	4450mm	600mm	2590mm

# Product Information

## Parts Diagram

### Excavator Lifting Platform



NOTE: These parts are for this model, they may differ for previous versions. Please contact Conquip with any queries.

Item Number	Part Number	Description	Quantity
1	ZZ190075	Lifting Platform Beam with Lifting Chains	1
2	CD2.8-32-12X8	2 Leg, 32mm, 2800mm EWL, Ends: Self Locking Hooks Grade 80	1
3	SH101-25500	Safety Bow Shackle 25000kg SWL	4
4	LB200-00016	Load Binder 16mm	4
5	CO7-16-12D8	1 Leg 16mm, 7000mm EWL Begins: Self Locking Hooks, Ends: Self Locking Hooks, Grade 80	4
6	SH100-13500	Safety Bow Shackle 13500kg SWL	4
7	ZZ190074-01	Telescopic I Beam Assembly	4

# Original Working Instructions

## Usage Instructions

---

### Important Usage Notes

- DO NOT unevenly load the Excavator Lifting Platform.
- Secure excavator using tie down points before lifting.
- The excavator should be lifted centrally on the platform.
- For excavators weighing upwards of 6t, the centre line of the track must sit within the external side beam.
- Extend telescopic I-beams before lifting platform. When adjusting the sections ensure that the locking pin is secured before lifting the platform.
- Only lift the Excavator Lifting Platform using the designated 4 lifting points on the telescopic I beams. DO NOT lift using the D rings on the timber bed.
- Before every lift, the excavator should be secured with suitable load binders.
- 3t-12t excavators require 2 chains to secure the Excavator to the platform.
- 16t-30t excavators require 4 chains to secure the Excavator to the platform.
- The Excavator Lifting Platform can be used to lift excavators up to 30t.
- Always use a minimum of two chains to secure the Excavator down, these must be placed over the turn table or tracks either side of the cab.
- Make sure the new location is safe for access before moving the load.
- A competent individual must inspect all components to LOLER standards before a lift takes place.

### Using with a Crane

1. Before lifting, extend the telescopic I-beams into the lifting position (maximum extension).
2. Drive the excavator onto the platform using the ramps at either end.
3. Secure the excavator with suitable slings/load binders using the tie down points on the platform.
4. Attach the crane to the spreader beam using a suitably rated chain.
5. Once the supervisor is happy that the excavator is secure, balanced and does not exceed maximum loading weights, position the spreader beam over the platform.

# Original Working Instructions

## Usage Instructions

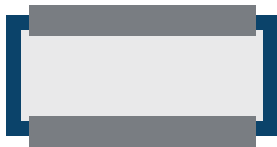
---

6. Attach the chains from the spreader beam assembly to the lifting points on the I-beams. DO NOT attach the chains to the D rings on the timber bed.
7. Check that personnel are clear from the immediate area and the future location to allow for swing of the platform when lifting off the ground.
8. Crane-lift to location and lower onto a firm, stable, flat surface.
9. Unload the excavator, using the ramp on either side of the platform.

### Platform Signage

All Excavator Lifting Platforms are fitted with a sticker outlining the WLL of the platform depending on the positioning of the excavator's tracks.

Ensure the excavator is within the track parameters per it's WLL. Track parameters are highlighted in grey.



**WLL: 30,000KG**



**WLL: 6,000KG**



**WLL: 3,000KG**

# Original Working Instructions

## Safety Instructions

---

### Basic Safety

A site-specific Risk Assessment, and lift plan where applicable, must be completed by the responsible person before using this equipment to control risks, produce a safe system of work and ensure safety for you, your colleagues and others. Your risk assessment will determine the correct Personal Protective Equipment (PPE) for the task you are doing. You must use it. Conquip recommends that you should wear:

- Suitable clothing
- Gloves
- Hard hat
- Protective footwear (steel toecaps)
- Safety glasses



### Important Safety Notes

- Read these instructions before using this equipment. If there is anything you do not understand or if you have any concerns do not use this equipment. Contact your supervisor or Conquip Engineering Group for advice.
- You must check that you have considered all the safety requirements for the task you are doing and that this equipment is suitable.
- You must protect bystanders and the general public by preventing access to the working area.
- Do not use this equipment if you are tired, unwell or under the influence of alcohol or drugs. If you are taking any medicine or undergoing treatment you should inform your supervisor.



## Usage & Transportation

- Never unevenly load this equipment.
- The weight of the equipment, together with its attachments, must be added to the weight of the load when calculating the total load that will be imposed on the lifting apparatus / operating machine.
- This equipment must be used in conjunction with the load ratings of the lifting apparatus / operating machine. (Refer to the manufacturers' load ratings and original working instructions).
- Make sure you know how to use this equipment and understand all aspects of its operation in case of emergency.
- This equipment weighs more than 25kg. Do not lift or manhandle without machine assistance.
- Do not operate this equipment near overhead power lines.
- Take care in confined spaces, near ceilings or similar hazards. This equipment was designed for vertical lifting. Do not drag, or swing.
- Before operating this equipment, check that you have enough space for you to work safely and make sure that the working area is clear of hazards, obstructions and personnel.
- Before lowering equipment make sure that the landing zone is clear and capable of accepting the size and weight of the load.
- Crush Risk. Keep hands and feet clear of the equipment at all times to avoid injury.
- Do not exceed the maximum Working Load Limit (WLL) shown on the serial plate. Ensure that the WLL on the individual lift points is not exceeded.
- Before lifting, check that the load is secured, balanced and stable. Allow space for the equipment to move if the load shifts.

## Personnel

- All personnel must wear relevant personal protective equipment.
- Do not wear loose clothing or jewellery and tie back long hair to avoid becoming tangled or trapped in this equipment. You must make everyone in the work area aware of what you are doing.
- All personnel involved in the lifting operation must be competent to do so and must have been briefed in conjunction with this User Guide available from Conquip Engineering Group, the manufacturer.

## Equipment Maintenance & Cleaning

- It is mandatory that the equipment is thoroughly examined regularly, by a qualified engineer, to ensure compliance with relevant regulation/s. (Conquip recommend to carry out thorough examination every six months).
- This product may incorporate various loose and detachable items of lifting gear. Refer to the separate requirements for the safe use of those items.
- When not being used, store the unit in a clean, upright condition and in a safe place where it will be protected from thieves and unauthorised users.
- This equipment must be inspected by the responsible person before each use and then regularly, as determined by your risk assessment or working practice. If you have any concerns about condition or suitability do not use.



# Disclaimer

---

## Warranty

The products supplied by Conquip Engineering Group are all guaranteed by a 12 month warranty.

Apart from where exceptions apply, Conquip Engineering Group promises to repair or replace any fault which the Company considers to be due to defective material or workmanship within 12 months of the date of sale, at no additional cost.

- Faults arising from unauthorised alterations (see modifications section below for full details).
- Damage caused by abuse, neglect, misuse or falling.
- Damage caused because of failure to follow transportation, storage, loading, cleaning or operating instructions.
- Replacement or repair of components due to fair wear and tear.
- Any consequential damage or wear arising from the use or fitting of additional or non-standard parts.

## Modifications

If any third-party modifications or alterations, involving drilling, welding, cutting or distortion of materials in any form, are to be carried out on the product, Conquip Engineering Group must provide full written approval prior to the work being carried out.

Alterations, modifications, additions or repairs must be carried out by Conquip Engineering Group's recognised distributors, if they are not carrying out the work themselves.

Conquip Engineering Group operate a continuous improvement policy and therefore reserve the right to alter technical specifications and user guide details at any point without notice.

Conquip Engineering Group will not cover or reimburse any transportation and/or shipment costs to and from their premises or their recognised agents, or any material and/or labour costs for repair, replacement or assessment against a warranty claim.

Conquip Engineering Group and/or their directors, employees, insurers or recognised agents will not be held liable for consequential damages, losses or expenses relating to the inability to use the product correctly for its purpose.

## Important Notes

- This User Guide is for this Conquip product only.
- Any movements of the product must be thoroughly planned before the work commences to identify potential hazards and assess risk.
- All personnel involved in lifting and transportation of this product must have read this User Guide and must be properly briefed.
- You must be competent, alert and medically fit when using this equipment. If you have a medical condition, a mental or physical disability, you must seek advice from a medical professional before using this equipment.

Talking to us is easy

**We're here to help**

Call us on 0800 116 076

Email us at [sales@conquipgroup.co.nz](mailto:sales@conquipgroup.co.nz)

[www.conquipgroup.co.nz](http://www.conquipgroup.co.nz)