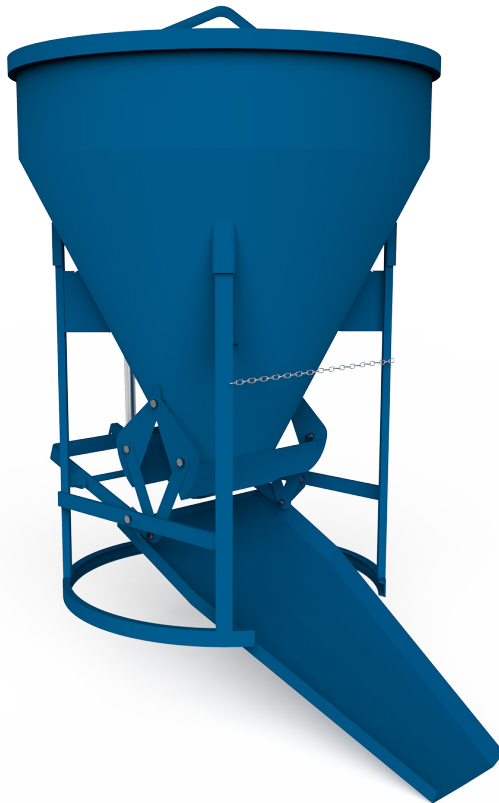


User Guide

# Concrete Twinflow Skip

---



## Product Information

### **Overview**

---

The Conquip Concrete Twinflow Skip is a general purpose skip for fast and accurate placing of concrete. It can be used as a bottom discharge skip for mass concrete pours, or as a side discharge skip for more accurate placing of concrete in shutters. It can be either geared or levered opening for easy flow.

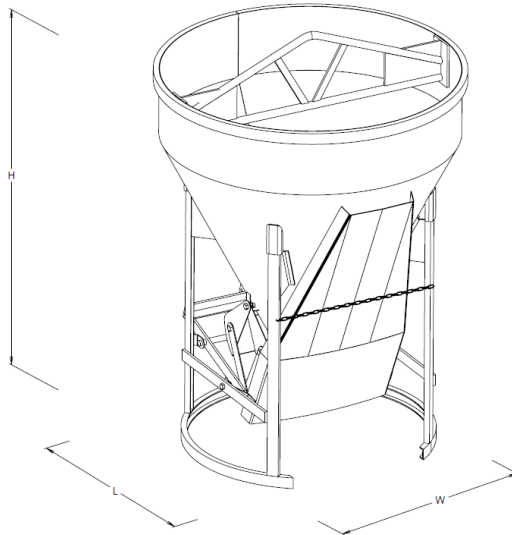
### **Key Benefits**

- Versatile design and easily adjustable for maximum efficiency of use.
- Accurate placement of concrete due to funnelled chute design.
- Frame design to allow the skip to stand upright safely when being filled.

# Product Information

## Specification

Item	Product Code
Concrete Twinflow Skip Levered 500	CS203-00500
Concrete Twinflow Skip Levered 750	CS203-00750
Concrete Twinflow Skip Levered 1000	CS203-01000
Concrete Twinflow Skip Geared 500	CS204-00500
Concrete Twinflow Skip Geared 750	CS204-00750
Concrete Twinflow Skip Geared 1000	CS204-01000



<sup>1</sup>Working Load Limit

Product Code	Height	Width	Length	Weight	WLL <sup>1</sup>	Capacity
CS203-00500	1650mm	1110mm	1460mm	140kg	1500kg	500 litre
CS203-00750	1460mm	1500mm	1810mm	215kg	2250kg	750 litre
CS203-01000	2000mm	1510mm	1700mm	240kg	3000kg	1000 litre
CS204-00500	1650mm	1110mm	1460mm	205kg	1500kg	500 litre
CS204-00750	1460mm	1500mm	1810mm	215kg	2250kg	750 litre
CS204-01000	2000mm	1510mm	1700mm	220kg	3000kg	1000 litre



# Original Working Instructions

## Usage Instructions

---

### Important Usage Notes

- Tag lines should be used but only to allow for light manoeuvring.
- It is recommended that you apply skip wax to the skip to assist cleaning. This is available from Conquip.

### Usage Instructions

1. Attach the lifting apparatus' hook to the skip's bale arm lifting point. Always ensure that the hook's gate is correctly closed and the bale arm is seated correctly in the hook.
2. Ensure skip chute is stowed in the secured position and gate is closed and secured.
3. Raise the Concrete Twinflow Skip and carefully manoeuvre to concrete filling location.
4. Lower the skip to the ground in the upright position. Ensure the surface is firm and level and capable of supporting the skip and its load.
5. Fully close the skip's flow gate. The geared version is closed by turning the release wheel clockwise. The levered version is spring loaded and should automatically remain closed unless being held open manually.
6. Once closed, attach the safety chain to the wheel to prevent the gate opening during a lift.
7. Fill the skip from the top with concrete until the skip is full and the load is level. The skip can now be raised and moved to where it is required.
8. To aid manoeuvring, attach tag lines to the skip.
9. Carefully raise the skip just off the ground and check for balance and security.
10. Carefully move the load to its required position. Move slowly and carefully; do not jolt the load.
11. When in position, lower the load until suspended above the discharge point.
12. If discharging directly below the skip, ensure the chute is swung up and clear of the flow gate, and secured with the safety chain.
13. Alternatively, if discharging to the side, swing the chute down to use it for directing the flow of the concrete.



## Original Working Instructions

# Usage Instructions

---

### Usage Instructions Continued

14. With the skip still suspended by the crane, carefully open the gate by turning the gear or depressing the lever, whichever is relevant for the skip type. Open the gate sufficiently to allow controlled release of concrete. Do not tie the gate open.
15. When discharge is complete, close the flow gate fully and secure with safety chain.
16. With the skip empty and free of any load, lower it to the ground in the upright position, resting on the frame.
17. After use ensure the skip is thoroughly washed out (see cleaning instructions below).
18. Once thoroughly cleaned and no longer required, release the lifting apparatus' hook and move it clear.

### Cleaning Instructions

1. The skip must be cleaned of all remaining concrete at the end of each work session, or more frequently if required. There can be no excuse for the unit to fail because of hard concrete residue.
2. Thorough cleaning can be achieved if the gate control spring is disconnected, this will allow you to open the gate fully for hosing down. Always take extreme caution when releasing the gate control. Do not tie the gate control lever in the open position.
3. Once thoroughly cleaned, the spring must be re-fitted to keep the gate closed. If you do not, concrete residue may set in the gate blade channels that will foul its operation.

# Original Working Instructions

## Safety Instructions

---

### Basic Safety

A site-specific Risk Assessment, and lift plan where applicable, must be completed by the responsible person before using this equipment to control risks, produce a safe system of work and ensure safety for you, your colleagues and others. Your risk assessment will determine the correct Personal Protective Equipment (PPE) for the task you are doing. You must use it. Conquip recommends that you should wear:

- Suitable clothing
- Gloves
- Hard hat
- Protective footwear (steel toecaps)
- Safety glasses



### Important Safety Notes

- Read these instructions before using this equipment. If there is anything you do not understand or if you have any concerns do not use this equipment. Contact your supervisor or Conquip Engineering Group for advice.
- You must check that you have considered all the safety requirements for the task you are doing and that this equipment is suitable.
- You must protect bystanders and the general public by preventing access to the working area.
- Do not use this equipment if you are tired, unwell or under the influence of alcohol or drugs. If you are taking any medicine or undergoing treatment you should inform your supervisor.



## Usage & Transportation

- Never unevenly load this equipment.
- The weight of the equipment, together with its attachments, must be added to the weight of the load when calculating the total load that will be imposed on the lifting apparatus / operating machine.
- This equipment must be used in conjunction with the load ratings of the lifting apparatus / operating machine. (Refer to the manufacturers' load ratings and original working instructions).
- Make sure you know how to use this equipment and understand all aspects of its operation in case of emergency.
- This equipment weighs more than 25kg. Do not lift or manhandle without machine assistance.
- Do not operate this equipment near overhead power lines.
- Take care in confined spaces, near ceilings or similar hazards. This equipment was designed for vertical lifting. Do not drag, or swing.
- Before operating this equipment, check that you have enough space for you to work safely and make sure that the working area is clear of hazards, obstructions and personnel.
- Before lowering equipment make sure that the landing zone is clear and capable of accepting the size and weight of the load.
- Crush Risk. Keep hands and feet clear of the equipment at all times to avoid injury.
- Do not exceed the maximum Working Load Limit (WLL) shown on the serial plate. Ensure that the WLL on the individual lift points is not exceeded.
- Before lifting, check that the load is secured, balanced and stable. Allow space for the equipment to move if the load shifts.
- Manoeuvre loaded or raised equipment carefully. Travel and turn slowly to avoid unit becoming unstable.

## Personnel

- All personnel must wear relevant personal protective equipment.
- Do not wear loose clothing or jewellery and tie back long hair to avoid becoming tangled or trapped in this equipment. You must make everyone in the work area aware of what you are doing.
- All personnel involved in the lifting operation must be competent to do so and must have been briefed in conjunction with this User Guide available from Conquip Engineering Group, the manufacturer.

## Equipment Maintenance & Cleaning

- It is mandatory that the equipment is thoroughly examined regularly, by a qualified engineer, to ensure compliance with relevant regulation/s. (Conquip recommend to carry out thorough examination every six months).
- This product may incorporate various loose and detachable items of lifting gear. Refer to the separate requirements for the safe use of those items.
- When not being used, store the unit in a clean, upright condition and in a safe place where it will be protected from thieves and unauthorised users.
- This equipment must be inspected by the responsible person before each use and then regularly, as determined by your risk assessment or working practice. If you have any concerns about condition or suitability do not use.



# Disclaimer

---

## Warranty

The products supplied by Conquip Engineering Group are all guaranteed by a 12 month warranty.

Apart from where exceptions apply, Conquip Engineering Group promises to repair or replace any fault which the Company considers to be due to defective material or workmanship within 12 months of the date of sale, at no additional cost.

- Faults arising from unauthorised alterations (see modifications section below for full details).
- Damage caused by abuse, neglect, misuse or falling.
- Damage caused because of failure to follow transportation, storage, loading, cleaning or operating instructions.
- Replacement or repair of components due to fair wear and tear.
- Any consequential damage or wear arising from the use or fitting of additional or non-standard parts.

## Modifications

If any third-party modifications or alterations, involving drilling, welding, cutting or distortion of materials in any form, are to be carried out on the product, Conquip Engineering Group must provide full written approval prior to the work being carried out.

Alterations, modifications, additions or repairs must be carried out by Conquip Engineering Group's recognised distributors, if they are not carrying out the work themselves.

Conquip Engineering Group operate a continuous improvement policy and therefore reserve the right to alter technical specifications and user guide details at any point without notice.

Conquip Engineering Group will not cover or reimburse any transportation and/or shipment costs to and from their premises or their recognised agents, or any material and/or labour costs for repair, replacement or assessment against a warranty claim.

Conquip Engineering Group and/or their directors, employees, insurers or recognised agents will not be held liable for consequential damages, losses or expenses relating to the inability to use the product correctly for its purpose.

## Important Notes

- This User Guide is for this Conquip product only.
- Any movements of the product must be thoroughly planned before the work commences to identify potential hazards and assess risk.
- All personnel involved in lifting and transportation of this product must have read this User Guide and must be properly briefed.
- You must be competent, alert and medically fit when using this equipment. If you have a medical condition, a mental or physical disability, you must seek advice from a medical professional before using this equipment.

Talking to us is easy

**We're here to help**

Call us on 0800 116 076

Email us at [sales@conquipgroup.co.nz](mailto:sales@conquipgroup.co.nz)

[www.cqegroup.co.nz](http://www.cqegroup.co.nz)