

User Guide

Manhole Cover Plate



Product Information

Overview

The Conquip Manhole Cover Plate is a steel plate designed as a safe temporary cover across manholes or sunken or uneven ground.

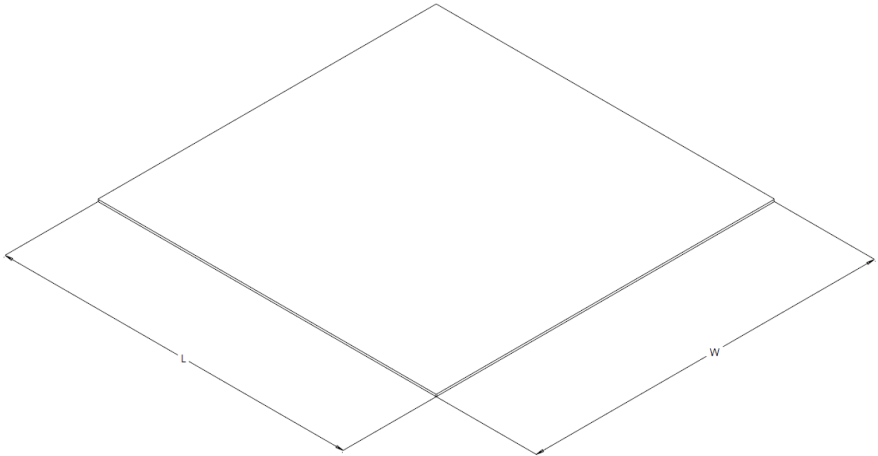
Key Benefits

- Compliant with Street & Roadworks Code of Safe Practice.
- Available with chamfered edges and non slip surface for specific applications.
- Manufactured in the UK from quality British and EU steel.

Product Information

Specification

Item	Product Code
Manhole Cover Plate 600	SS506-00360
Manhole Cover Plate 1000	SS506-01000



¹Working Load Limit

Product Code	Thickness	Width	Length	Weight
SS506-00360	6mm	600mm	600mm	17kg
SS506-01000	6mm	1000mm	1000mm	51kg

Original Working Instructions

Usage Instructions

Important Usage Notes

- Carry out a manual handling assessment before use.
- Do not lift if not comfortable with load weight.
- If Manhole Cover Plates are required to bridge excavations, their use must be authorised by a suitably qualified supervisor who will decide on the size and thickness of the plate to be used.
- The thickness and size of the plate required will depend on the width of excavation to be spanned and type of traffic expected to use them.
- Manhole Cover Plates must be secured to the road surface by either being sunk in to the surface or joined by suitable bitumastic material to create a ramp.
- Manhole Cover Plate edges adjacent to the excavation should be fenced to prevent falls.
- The sides of bridged excavations must be suitably supported beneath the plate.
- Installation of Manhole Cover Plates must not present a hazard to pedestrians, cyclists or motorcyclists.
- Appropriate ramp warnings, speed restrictions and signage should be in place.

Usage Instructions

1. Manually lift the plate to the required position and lower to the ground.
2. Place the plate over the manhole, and ensure it is securely placed and stable.
3. Secure the Manhole Cover Plate to the surface below by either sinking the plate into the surface, or joining with bitumastic material to create a ramp to the plate surface.

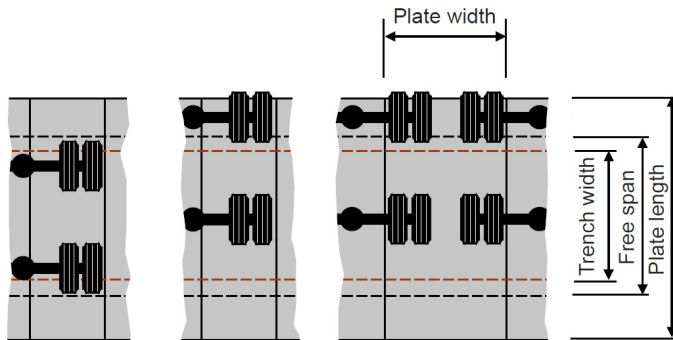
Original Working Instructions

Usage Instructions

Wheel Loading

The maximum bending and force that can be imposed on a single plate depends on:

- the length of the free span
- the number of half-axes that can be accommodated within the free span
- the weights of the half-axes
- the positions of the half-axes

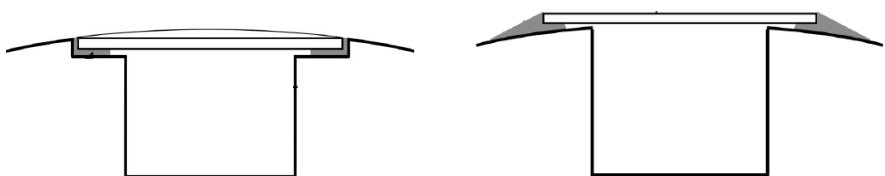


Speed

It is recommended that vehicles travel on the plates at speeds no faster than 30mph.

Road Profile

Consideration needs to be taken with roads or surfaces that have a surface curvature as this can mean that the plate is less likely to match the road profile and could depart from road when trafficked.



Original Working Instructions

Safety Instructions

Basic Safety

A site-specific Risk Assessment, and lift plan where applicable, must be completed by the responsible person before using this equipment to control risks, produce a safe system of work and ensure safety for you, your colleagues and others. Your risk assessment will determine the correct Personal Protective Equipment (PPE) for the task you are doing. You must use it. Conquip recommends that you should wear:

- Suitable clothing
- Gloves
- Hard hat
- Protective footwear (steel toecaps)
- Safety glasses



Important Safety Notes

- Read these instructions before using this equipment. If there is anything you do not understand or if you have any concerns do not use this equipment. Contact your supervisor or Conquip Engineering Group for advice.
- You must check that you have considered all the safety requirements for the task you are doing and that this equipment is suitable.
- You must protect bystanders and the general public by preventing access to the working area.
- Do not use this equipment if you are tired, unwell or under the influence of alcohol or drugs. If you are taking any medicine or undergoing treatment you should inform your supervisor.

Usage & Transportation

- Never unevenly load this equipment.
- Make sure you know how to use this equipment and understand all aspects of its operation in case of emergency.
- Do not operate this equipment near overhead power lines.
- Before operating this equipment, check that you have enough space for you to work safely and make sure that the working area is clear of hazards, obstructions and personnel.
- Before lowering equipment make sure that the landing zone is clear and capable of accepting the size and weight of the load.
- Crush Risk.
- Do not exceed the maximum Working Load Limit (WLL) shown on the serial plate. Ensure that the WLL on the individual lift points is not exceeded.

Personnel

- All personnel must wear relevant personal protective equipment.
- Do not wear loose clothing or jewellery and tie back long hair to avoid becoming tangled or trapped in this equipment. You must make everyone in the work area aware of what you are doing.
- All personnel involved in the lifting operation must be competent to do so and must have been briefed in conjunction with this User Guide available from Conquip Engineering Group, the manufacturer.

Equipment Maintenance & Cleaning

- It is mandatory that the equipment is thoroughly examined regularly, by a qualified engineer, to ensure compliance with relevant regulation/s. (Conquip recommend to carry out thorough examination every six months).
- This product may incorporate various loose and detachable items of lifting gear. Refer to the separate requirements for the safe use of those items.
- When not being used, store the unit in a clean, upright condition and in a safe place where it will be protected from thieves and unauthorised users.
- This equipment must be inspected by the responsible person before each use and then regularly, as determined by your risk assessment or working practice. If you have any concerns about condition or suitability do not use.

Disclaimer

Warranty

The products supplied by Conquip Engineering Group are all guaranteed by a 12 month warranty.

Apart from where exceptions apply, Conquip Engineering Group promises to repair or replace any fault which the Company considers to be due to defective material or workmanship within 12 months of the date of sale, at no additional cost.

- Faults arising from unauthorised alterations (see modifications section below for full details).
- Damage caused by abuse, neglect, misuse or falling.
- Damage caused because of failure to follow transportation, storage, loading, cleaning or operating instructions.
- Replacement or repair of components due to fair wear and tear.
- Any consequential damage or wear arising from the use or fitting of additional or non-standard parts.

Modifications

If any third-party modifications or alterations, involving drilling, welding, cutting or distortion of materials in any form, are to be carried out on the product, Conquip Engineering Group must provide full written approval prior to the work being carried out.

Alterations, modifications, additions or repairs must be carried out by Conquip Engineering Group's recognised distributors, if they are not carrying out the work themselves.

Conquip Engineering Group operate a continuous improvement policy and therefore reserve the right to alter technical specifications and user guide details at any point without notice.

Conquip Engineering Group will not cover or reimburse any transportation and/or shipment costs to and from their premises or their recognised agents, or any material and/or labour costs for repair, replacement or assessment against a warranty claim.

Conquip Engineering Group and/or their directors, employees, insurers or recognised agents will not be held liable for consequential damages, losses or expenses relating to the inability to use the product correctly for its purpose.

Important Notes

- This User Guide is for this Conquip product only.
- Any movements of the product must be thoroughly planned before the work commences to identify potential hazards and assess risk.
- All personnel involved in lifting and transportation of this product must have read this User Guide and must be properly briefed.
- You must be competent, alert and medically fit when using this equipment. If you have a medical condition, a mental or physical disability, you must seek advice from a medical professional before using this equipment.

Talking to us is easy

We're here to help

Call us on 0800 116 076

Email us at sales@conquipgroup.co.nz

www.conquipgroup.co.nz