

User Guide

# COSHH Storage Cabinet



## Product Information Overview

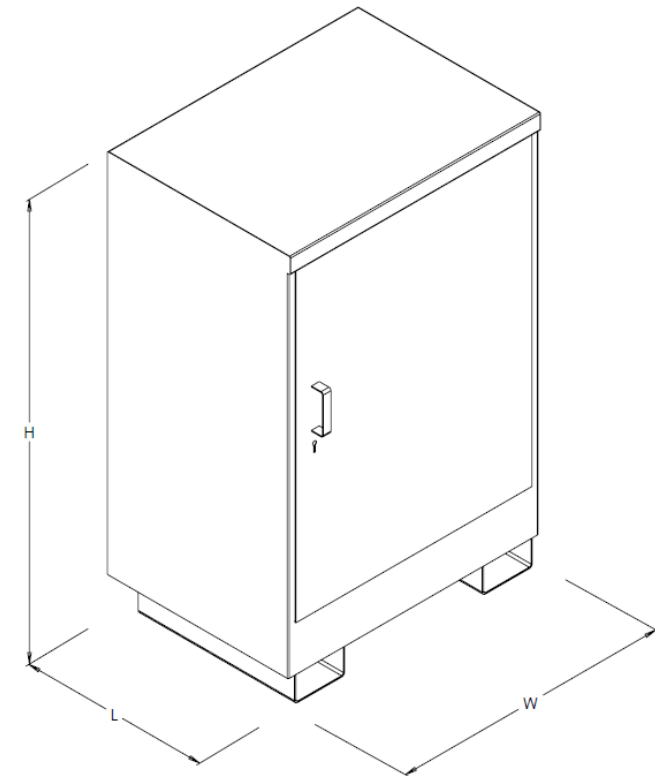
The Conquip COSHH Storage Cabinet is a storage unit for flammable materials and bottles. The cabinet is vented at high and low levels, and fitted with a spill containment sump and tap for easy and safe removal of contained liquid. Internal shelves ensure efficient use of space and separation of products.

### Key Benefits

- Supplied with fork pockets and lifting points for safe placement and relocation.
- Complete with storage box for flammables' test certification.
- The doors are fitted with a padlock point to secure unit for theft and misuse of stored materials.
- Removable grate over the spill containment sump makes removal of spilt liquids quick and safe.
- Stackable design to maximise space on site.
- Storage facility for fire extinguishers on the outside of the cabinet in case of an emergency.

## Product Information Specification

Item	Product Code
COSHH Storage Cabinet 259	ST114AC-00259
COSHH Storage Cabinet 585	ST114AC-00585
COSHH Storage Cabinet 1086	ST114AC-01086



<sup>1</sup>Working Load Limit

Product Code	Height	Width	Length	Weight	Fork Pocket
ST114AC-00259	980mm	530mm	500mm	45kg	160 x 65mm
ST114AC-00585	1250mm	800mm	585mm	74kg	160 x 65mm
ST114AC-01086	1555mm	1205mm	580mm	1100kg	160 x 65mm

## Original Working Instructions

# Usage Instructions

---

### Important Usage Notes

- The COSHH Storage Cabinet is designed to be lifted when empty only. Do not raise or transport whilst storing materials or bottles.
- Do not store any containers that are leaking, has its valve open or shows signs of damage.
- Do not store materials that are too big to be stored in the correct upright position.
- It is the responsibility of the supervisor that no harmful chemicals are removed by unauthorised users.

### Lifting with a Forklift

1. To lift the COSHH Storage Cabinet with a forklift, set the machine's forks to the correct width for the COSHH Storage Cabinet's fork pockets. Make sure that they are equidistant from the centre.
2. Drive the forklift to the COSHH Storage Cabinet aligning the forks with the COSHH Storage Cabinet fork pockets.
3. Double check that all is correctly aligned, then move the forklift forward until the forks are fully inserted into the fork pockets. The COSHH Storage Cabinet is now ready to move.
4. Carefully raise the cabinet just off the ground and check for balance and security.
5. Carefully transport the cabinet to its required destination, taking care not to jolt the load.
6. When in position, the cabinet can be lowered onto firm, level ground.
7. Reverse the forklift back and clear of the cabinet.
8. Load the cabinet with materials and padlock the door for security measures.
9. If a spillage occurs, it can be safely and easily cleaned up by removing the mesh grate over the spill containment sump and washing out. Ensure the grate is refitted once cleaned.

### Lifting with a Crane

1. Attach the lifting apparatus hook to the COSHH Storage Cabinet's lifting points, using a certified four leg lifting chain.
2. Check that personnel are clear from the immediate area and the future location to allow for swing of the cabinet when lifting off the ground.
3. Carefully raise the cabinet just off the ground and check for balance and security.
4. Carefully transport the cabinet to its required destination, taking care not to jolt the load.
5. When in position, the cabinet can be lowered on to firm, level ground.
6. Load the cabinet with materials and padlock the door for security measures.
7. If a spillage occurs, it can be safely and easily cleaned up by removing the mesh grate over the spill containment sump and washing out. Ensure the grate is refitted once cleaned.

# Original Working Instructions

## Safety Instructions

### Basic Safety

A site-specific Risk Assessment, and lift plan where applicable, must be completed by the responsible person before using this equipment to control risks, produce a safe system of work and ensure safety for you, your colleagues and others. Your risk assessment will determine the correct Personal Protective Equipment (PPE) for the task you are doing. You must use it. Conquip recommends that you should wear:

- Suitable clothing
- Gloves
- Hard hat
- Protective footwear (steel toecaps)
- Safety glasses



### Important Safety Notes

- Read these instructions before using this equipment. If there is anything you do not understand or if you have any concerns do not use this equipment. Contact your supervisor or Conquip Engineering Group for advice.
- You must check that you have considered all the safety requirements for the task you are doing and that this equipment is suitable.
- You must protect bystanders and the general public by preventing access to the working area.
- Do not use this equipment if you are tired, unwell or under the influence of alcohol or drugs. If you are taking any medicine or undergoing treatment you should inform your supervisor.

### Usage & Transportation

- Never unevenly load this equipment.
- The weight of the equipment, together with its attachments, must be added to the weight of the load when calculating the total load that will be imposed on the lifting apparatus / operating machine.
- This equipment must be used in conjunction with the load ratings of the lifting apparatus / operating machine. (Refer to the manufacturers' load ratings and original working instructions).
- Make sure you know how to use this equipment and understand all aspects of its operation in case of emergency.
- This equipment weighs more than 25kg. Do not lift or manhandle without machine assistance.
- Do not operate this equipment near overhead power lines.
- Take care in confined spaces, near ceilings or similar hazards. This equipment was designed for vertical lifting. Do not drag, or swing.
- Before operating this equipment, check that you have enough space for you to work safely and make sure that the working area is clear of hazards, obstructions and personnel.
- Before lowering equipment make sure that the landing zone is clear and capable of accepting the size and weight of the load.
- Crush Risk. Keep hands and feet clear of the equipment at all times to avoid injury.
- Do not exceed the maximum Working Load Limit (WLL) shown on the serial plate. Ensure that the WLL on the individual lift points is not exceeded.
- Before lifting, check that the load is secured, balanced and stable. Allow space for the equipment to move if the load shifts.
- Manoeuvre loaded or raised equipment carefully. Travel and turn slowly to avoid unit becoming unstable.

### Personnel

- All personnel must wear relevant personal protective equipment.
- Do not wear loose clothing or jewellery and tie back long hair to avoid becoming tangled or trapped in this equipment. You must make everyone in the work area aware of what you are doing.
- All personnel involved in the lifting operation must be competent to do so and must have been briefed in conjunction with this User Guide available from Conquip Engineering Group, the manufacturer.

### Equipment Maintenance & Cleaning

- It is mandatory that the equipment is thoroughly examined regularly, by a qualified engineer, to ensure compliance with relevant regulation/s. (Conquip recommend to carry out thorough examination every six months).
- This product may incorporate various loose and detachable items of lifting gear. Refer to the separate requirements for the safe use of those items.
- When not being used, store the unit in a clean, upright condition and in a safe place where it will be protected from thieves and unauthorised users.
- This equipment must be inspected by the responsible person before each use and then regularly, as determined by your risk assessment or working practice. If you have any concerns about condition or suitability do not use.

# Disclaimer

---

## Warranty

The products supplied by Conquip Engineering Group are all guaranteed by a 12 month warranty.

Apart from where exceptions apply, Conquip Engineering Group promises to repair or replace any fault which the Company considers to be due to defective material or workmanship within 12 months of the date of sale, at no additional cost.

- Faults arising from unauthorised alterations (see modifications section below for full details).
- Damage caused by abuse, neglect, misuse or falling.
- Damage caused because of failure to follow transportation, storage, loading, cleaning or operating instructions.
- Replacement or repair of components due to fair wear and tear.
- Any consequential damage or wear arising from the use or fitting of additional or non-standard parts.

## Modifications

If any third-party modifications or alterations, involving drilling, welding, cutting or distortion of materials in any form, are to be carried out on the product, Conquip Engineering Group must provide full written approval prior to the work being carried out.

Alterations, modifications, additions or repairs must be carried out by Conquip Engineering Group's recognised distributors, if they are not carrying out the work themselves.

Conquip Engineering Group operate a continuous improvement policy and therefore reserve the right to alter technical specifications and user guide details at any point without notice.

Conquip Engineering Group will not cover or reimburse any transportation and/or shipment costs to and from their premises or their recognised agents, or any material and/or labour costs for repair, replacement or assessment against a warranty claim.

Conquip Engineering Group and/or their directors, employees, insurers or recognised agents will not be held liable for consequential damages, losses or expenses relating to the inability to use the product correctly for its purpose.

# EC Declaration of Conformity

---

## In accordance with EN ISO 17050-1:2004

Declaration: As defined by the Machinery Directive 2006/42/EC and subsequent amendments

We, CONQUIP ENGINEERING GROUP, herewith declare that the following indicated equipment meets the fundamental health and safety requirements concerning the EU guide line(s), due to their design and manufacture.

This declaration will be rendered null and void if the machine is changed without our approval.

**Signed:**



**Dated: 2018**

**Garry Critchley, Managing Director**

**Product Code(s):**

ST114AC-00259 / ST114AC-00585 / ST114AC-01086

**EC Directive/ Regulation:**

2006/42/EC,  
Lifting Operations and Lifting Equipment Regulations 1998  
Provision and Use of Work Equipment Regulations 1998

**Harmonised Standards:**

BS EN ISO 12100:2010  
BS EN 13155

**General Description/ Designation:**

COSHH Storage Cabinet- ST114AC-00259 / ST114AC-00585 / ST114AC-01086

**WLL:**

ST114AC-00259 / ST114AC-00585 / ST114AC-01086 = NA

## Important Notes

- This User Guide is for this Conquip product only.
- Any movements of the product must be thoroughly planned before the work commences to identify potential hazards and assess risk.
- All personnel involved in lifting and transportation of this product must have read this User Guide and must be properly briefed.
- You must be competent, alert and medically fit when using this equipment. If you have a medical condition, a mental or physical disability, you must seek advice from a medical professional before using this equipment.

Talking to us is easy

**We're here to help**

Call us on 0845 520 1101

Email us at [sales@cqegroup.com](mailto:sales@cqegroup.com)

[www.cqegroup.com](http://www.cqegroup.com)

**Conquip Engineering Group**

Waterbrook Estate, Alton, Hampshire, GU34 2UD