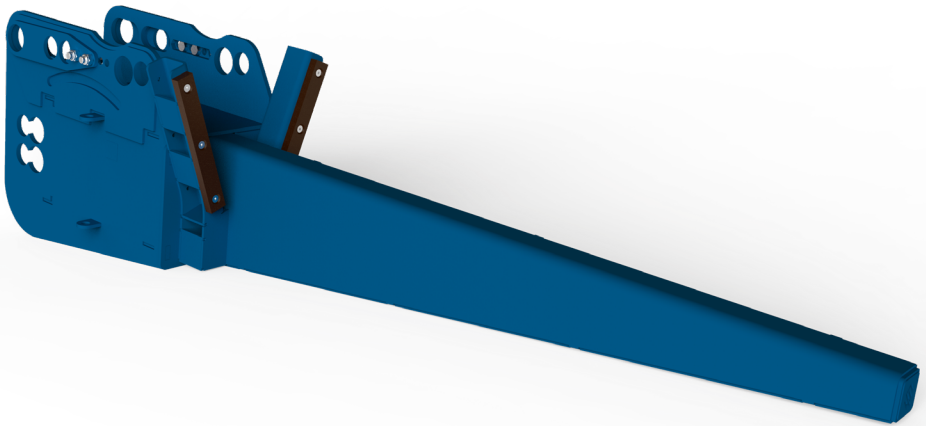


User Guide

# Excavator Pipe Laying Hook

---



## Product Information Specification

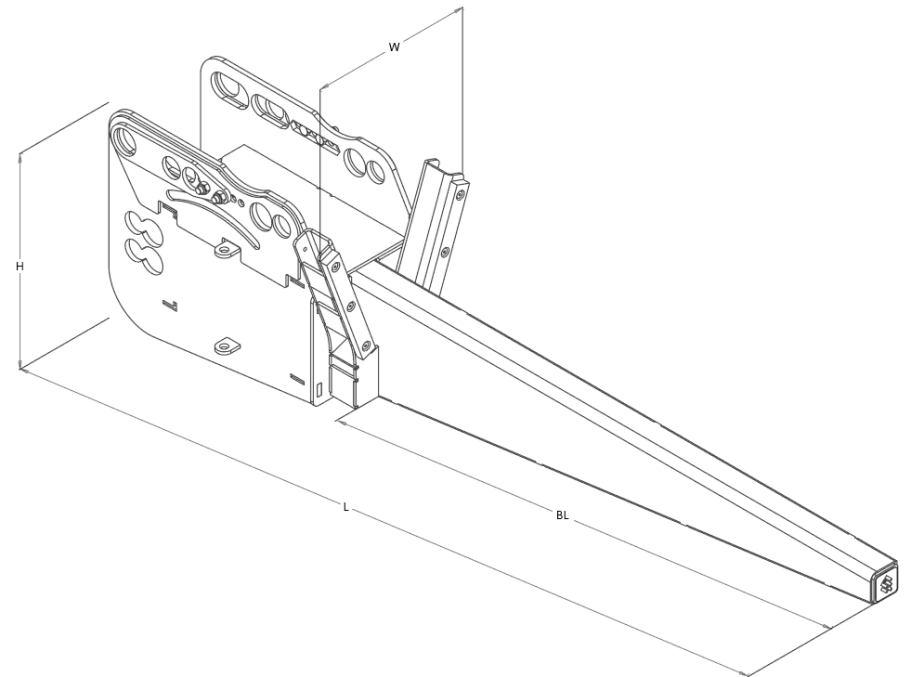
Item	Product Code
Excavator Pipe Laying Hook	EA012AK-04000

### Product Information Overview

The Conquip Excavator Pipe Laying Hook is an excavator attachment used for fast and safe handling of pipe sections. This device can be used for unloading delivery vehicles, transporting around site and placement. It avoids the need for ground workers to be in the trench during pipe installation, and replaces traditional slinging methods for unloading trucks.

### Key Benefits

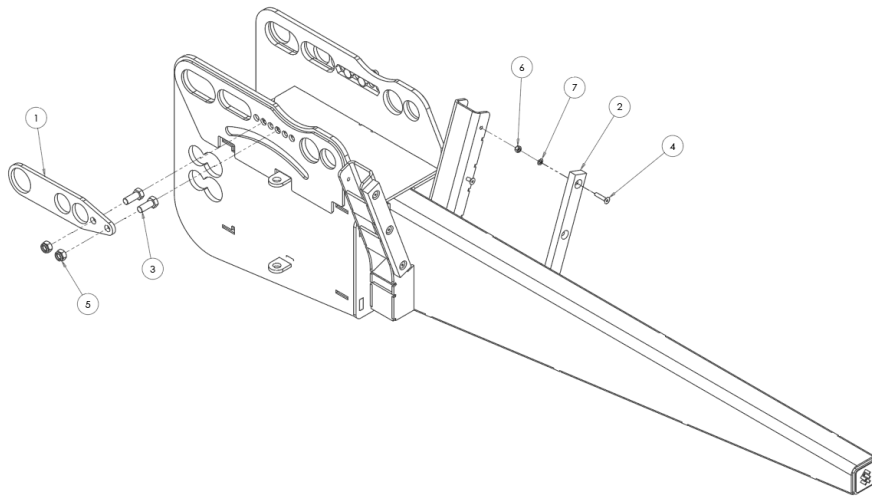
- Rubber stops on the back plate act as a buffer to prevent pipes from breaking when sliding into the back plate.
- Adjustable pin centres to fit the quick hitch of most types of excavator.
- Can be supplied with 65mm or 80mm pins to suit 13 to 22 tonne excavators.



<sup>1</sup>Working Load Limit

Height	Width	Length	Boom Length	Weight	WLL <sup>1</sup>	Pin Sizes
850mm	550mm	2750mm	1800mm	300kg	4000kg	65 / 80mm

**Excavator Pipe Laying Hook**



NOTE: These parts are for this model, they may differ for previous versions. Please contact Conquip with any queries.

Item Number	Part Number	Description	Quantity
1	ZZ130024	Adjuster Plate	2
2	ZZ990509	Rubber Buffer 450 x 50 x 24mm	2
3	NS800878	M20 x 50 Hex Head Set Screw	4
4	NS800026	M10 x 40 Countersunk Set Screw	6
5	NS800841	M20 Nyloc Nut	4
6	NS800013	M10 Nyloc Nut	6
7	NS800262	M10 Washer	6

**Important Usage Notes**

- Ensure the work area is firm and level and clear of all obstructions with adequate room around the unit for the operator to work safely.
- Maximum load capacity of this piece of equipment is 4000kg. Do not exceed this maximum load. The lifting arm is 1.8m in length and can lift pipes up to a maximum length of 2.5m.
- Be careful not to apply too much force when pushing pipe section together to avoid breakage of pipes.
- Check that the quick hitch is securely attached to the excavator arm following the manufacturers' instructions and giving special attention to any safety features.
- Only lift one pipe section at a time.

**Set Up**

1. Select the correct size pins for your machine's quick hitch.
2. Fit the front pin to the correct sized hole on the attachment.
3. Adjust position of the rear pin to suit the quick hitch - follow the quick hitch operating guidelines and set the pins to the maximum centres for the unit.
4. Ensure the quick hitch pins have the retaining bolts correctly fitted.
5. Check for debris in the quick hitch locking mechanism and check the fit of the unit on the quick hitch, do not use if not secure.
6. When moving pipes, operators should be aware that the pipes may roll and should a method prepared for securing the pipes.

## Original Working Instructions

# Usage Instructions

---

### To Lift a Pipe

1. When it is safe to proceed, raise the pipe lifter until the tip is just below the crown of the pipe section, then fully insert the boom into the bore as straight as possible and slightly tilted back.
2. Lift the bar carefully and level it so that it fully contacts the crown.
3. Lift the pipe clear of the delivery vehicle or ground.
4. When travelling with a load, tilt the pipe lifter back by 10 to 20 degrees to secure the pipe on the hook, keep it in the lowest practicable position, to maintain driver visibility.
5. Operators should allow for any rough or sloping ground when assessing the method of operating.
6. Carefully lower the pipe onto the ground or storage location. Take care of edges or other items on hard ground. Use suitable measures to prevent the pipe from rolling.
7. When laying the pipe sections, manoeuvre into position and use the rubber buffers to push the pipe sections together.

## Original Working Instructions

# Safety Instructions

---

### Basic Safety

A site-specific Risk Assessment, and lift plan where applicable, must be completed by the responsible person before using this equipment to control risks, produce a safe system of work and ensure safety for you, your colleagues and others. Your risk assessment will determine the correct Personal Protective Equipment (PPE) for the task you are doing. You must use it. Conquip recommends that you should wear:

- Suitable clothing
- Gloves
- Hard hat
- Protective footwear (steel toecaps)
- Safety glasses



### Important Safety Notes

- Read these instructions before using this equipment. If there is anything you do not understand or if you have any concerns do not use this equipment. Contact your supervisor or Conquip Engineering Group for advice.
- You must check that you have considered all the safety requirements for the task you are doing and that this equipment is suitable.
- You must protect bystanders and the general public by preventing access to the working area.
- Do not use this equipment if you are tired, unwell or under the influence of alcohol or drugs. If you are taking any medicine or undergoing treatment you should inform your supervisor.

## Usage & Transportation

- Never unevenly load this equipment.
- The weight of the equipment, together with its attachments, must be added to the weight of the load when calculating the total load that will be imposed on the lifting apparatus / operating machine.
- This equipment must be used in conjunction with the load ratings of the lifting apparatus / operating machine. (Refer to the manufacturers' load ratings and original working instructions).
- Make sure you know how to use this equipment and understand all aspects of its operation in case of emergency.
- This equipment weighs more than 25kg. Do not lift or manhandle without machine assistance.
- Do not operate this equipment near overhead power lines.
- Take care in confined spaces, near ceilings or similar hazards. This equipment was designed for vertical lifting. Do not drag, or swing.
- Before operating this equipment, check that you have enough space for you to work safely and make sure that the working area is clear of hazards, obstructions and personnel.
- Before lowering equipment make sure that the landing zone is clear and capable of accepting the size and weight of the load.
- Crush Risk. Keep hands and feet clear of the equipment at all times to avoid injury.
- Do not exceed the maximum Working Load Limit (WLL) shown on the serial plate. Ensure that the WLL on the individual lift points is not exceeded.
- Before lifting, check that the load is secured, balanced and stable. Allow space for the equipment to move if the load shifts.
- Manoeuvre loaded or raised equipment carefully. Travel and turn slowly to avoid unit becoming unstable.

## Personnel

- All personnel must wear relevant personal protective equipment.
- Do not wear loose clothing or jewellery and tie back long hair to avoid becoming tangled or trapped in this equipment. You must make everyone in the work area aware of what you are doing.
- All personnel involved in the lifting operation must be competent to do so and must have been briefed in conjunction with this User Guide available from Conquip Engineering Group, the manufacturer.

## Equipment Maintenance & Cleaning

- It is mandatory that the equipment is thoroughly examined regularly, by a qualified engineer, to ensure compliance with relevant regulation/s. (Conquip recommend to carry out thorough examination every six months).
- This product may incorporate various loose and detachable items of lifting gear. Refer to the separate requirements for the safe use of those items.
- When not being used, store the unit in a clean, upright condition and in a safe place where it will be protected from thieves and unauthorised users.
- This equipment must be inspected by the responsible person before each use and then regularly, as determined by your risk assessment or working practice. If you have any concerns about condition or suitability do not use.

## Disclaimer

---

### Warranty

The products supplied by Conquip Engineering Group are all guaranteed by a 12 month warranty.

Apart from where exceptions apply, Conquip Engineering Group promises to repair or replace any fault which the Company considers to be due to defective material or workmanship within 12 months of the date of sale, at no additional cost.

- Faults arising from unauthorised alterations (see modifications section below for full details).
- Damage caused by abuse, neglect, misuse or falling.
- Damage caused because of failure to follow transportation, storage, loading, cleaning or operating instructions.
- Replacement or repair of components due to fair wear and tear.
- Any consequential damage or wear arising from the use or fitting of additional or non-standard parts.

### Modifications

If any third-party modifications or alterations, involving drilling, welding, cutting or distortion of materials in any form, are to be carried out on the product, Conquip Engineering Group must provide full written approval prior to the work being carried out.

Alterations, modifications, additions or repairs must be carried out by Conquip Engineering Group's recognised distributors, if they are not carrying out the work themselves.

Conquip Engineering Group operate a continuous improvement policy and therefore reserve the right to alter technical specifications and user guide details at any point without notice.

Conquip Engineering Group will not cover or reimburse any transportation and/or shipment costs to and from their premises or their recognised agents, or any material and/or labour costs for repair, replacement or assessment against a warranty claim.

Conquip Engineering Group and/or their directors, employees, insurers or recognised agents will not be held liable for consequential damages, losses or expenses relating to the inability to use the product correctly for its purpose.

# EC Declaration of Conformity

---

## In accordance with EN ISO 17050-1:2004

Declaration: As defined by the Machinery Directive 2006/42/EC and subsequent amendments

We, CONQUIP ENGINEERING GROUP, herewith declare that the following indicated equipment meets the fundamental health and safety requirements concerning the EU guide line(s), due to their design and manufacture.

This declaration will be rendered null and void if the machine is changed without our approval.

**Signed:**



**Dated: 2018**

**Garry Critchley, Managing Director**

<b>Product Code(s):</b>	EA012AK-04000
<b>EC Directive/ Regulation:</b>	2006/42/EC, Lifting Operations and Lifting Equipment Regulations 1998 Provision and Use of Work Equipment Regulations 1998
<b>Harmonised Standards:</b>	BS EN ISO 12100:2010
<b>General Description/ Designation:</b>	Excavator Pipe Laying Hook – EA012AK-04000
<b>WLL:</b>	EA012AK-04000 = 4000kg

## Important Notes

- This User Guide is for this Conquip product only.
- Any movements of the product must be thoroughly planned before the work commences to identify potential hazards and assess risk.
- All personnel involved in lifting and transportation of this product must have read this User Guide and must be properly briefed.
- You must be competent, alert and medically fit when using this equipment. If you have a medical condition, a mental or physical disability, you must seek advice from a medical professional before using this equipment.

Talking to us is easy

**We're here to help**

Call us on 0845 520 1101

Email us at [sales@cqegroup.com](mailto:sales@cqegroup.com)

[www.cqegroup.com](http://www.cqegroup.com)

**Conquip Engineering Group**

Waterbrook Estate, Alton, Hampshire, GU34 2UD